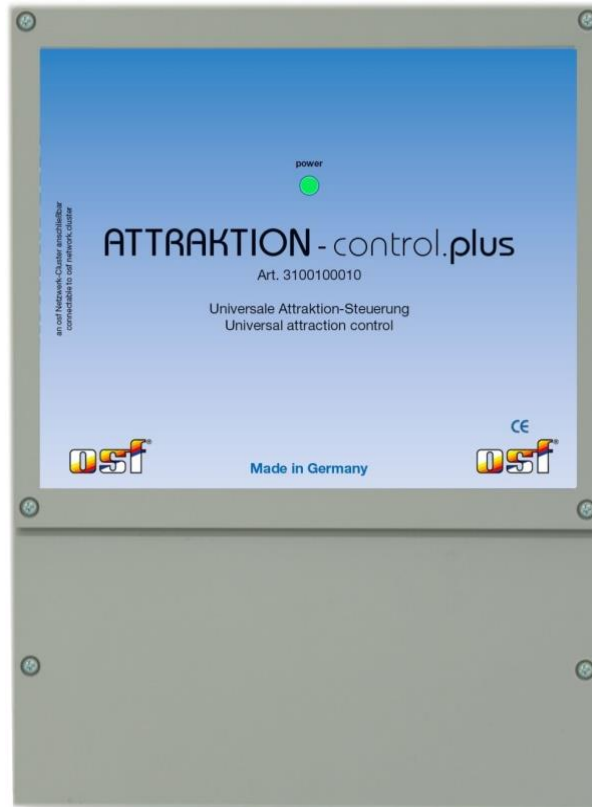


Installation and Operation Manual

Attraktion-Control.*plus*

Attraction controller with integrated webserver

Art. Nr.: 310.010.0010



CE

Technical data:

Dimensions:	220 x 285 x 80 (mm)
Operating voltage:	1/N/PE 230V 50Hz
Power consumption:	<. 5VA
Switching capacity:	Output 1: max. 230V/8A (AC1) Output 2: max. 230V/8A (AC1) Output 3: max. 230V/8A (AC1)
Voltage on external buttons:	5V (SELV)
Protection class:	IP 40
Ambient temperature:	0-40°C
Air humidity:	0-95% non condensing
Memory card:	Micro SD
Network connection:	LAN

Table of contents

Function	2
Installation	2
Electrical connection	2
Low-voltage lines.....	3
Wiring diagram.....	3
External buttons.....	3
EL button with illumination.....	3
Countercurrent system with its own control.....	4
Input 230V	4
LAN connection	4
Connection of the Attraktion-control.plus to the PC-45 exclusiv	5
Connection to a “Smart-Touch” operating panel	5
Configuration	6
Run-time limitation.....	6
Schedule for the attractions.....	6
Symbols for the attractions.....	6
Dependency on the filter control (PC-45 exclusiv)	7
Output signal for the 1st attraction output	7
Reset to factory settings	7
Fuses	8
Connection to the Internet	8

Function

The Attraktion-control.plus enables up to 3 attractions to be switched on and off. It can be used as a stand-alone device or as an extension of a Pool-Control-45-exclusiv filter control. The individual attractions can be switched using an external touch control unit (Smart-Touch), with EL buttons installed on the edge of the pool and via the Internet (LAN connection). A time limit can be activated for each attraction. There is also a timer for every attraction. The configuration can either be done exclusively on the connected Pool-Control-45 or via the internet access.

Installation

The swimming pool must be designed and built to prevent consequential damage resulting from a potential technical fault, power failure or a faulty unit.

Electrical connection

The control unit must be mounted such that it is protected from moisture in accordance with its degree of protection. The ambient temperature must lie between 0° C and + 40° C and should vary as little as possible. The relative humidity at the installation position must not exceed 95% and there must not be any condensation. Avoid exposing the unit to direct heat or sunlight.

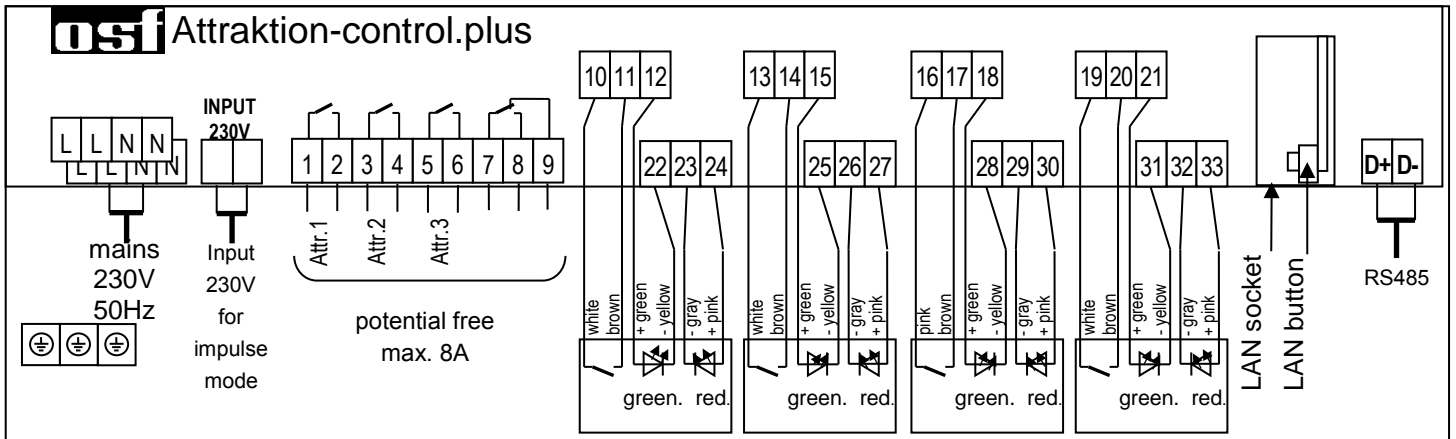
The power supply for the unit must be provided via an all-pole disconnection switch with a minimum contact gap of 3mm and via a residual-current circuit breaker with a fault current $I_{FN} \text{ of } \leq 30\text{mA}$. **Always disconnect the unit from the power supply before opening the**

case. All electrical wiring and calibration and servicing work must be performed solely by an approved electrician. The attached wiring diagrams and all applicable safety regulations must be observed.

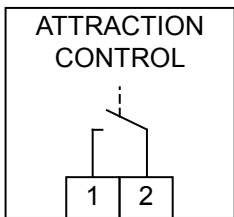
Low-voltage lines

Low-voltage lines must not be laid along with three-phase or AC power cables in the same cable conduit. In general, always avoid routing low-voltage lines close to three-phase or AC power cables.

Wiring diagram



External buttons



Depending on the configuration, up to 3 attractions can be switched. A potential-free relay contact is available for each attraction. This can be loaded with a maximum of 230V, 8A. The protection must be provided by the customer. A button for switching the attraction can be connected to terminals 10 and 11, 13 and 14, as well as 16 and 17. The terminals carry 5V safety extra-low voltage. This button is expediently installed in the pool edge. The waterproof **osf** EL button with two-colored control lamp is suitable as switching element. (Art. 108.100.5152). When the attraction is switched on, the control lamp lights up green; when the attraction is switched off, it lights up red.

EL button with illumination



The electronic EL button (item: 108.100.5152) is waterproof (IP68) and can therefore be used for installation below the water level.

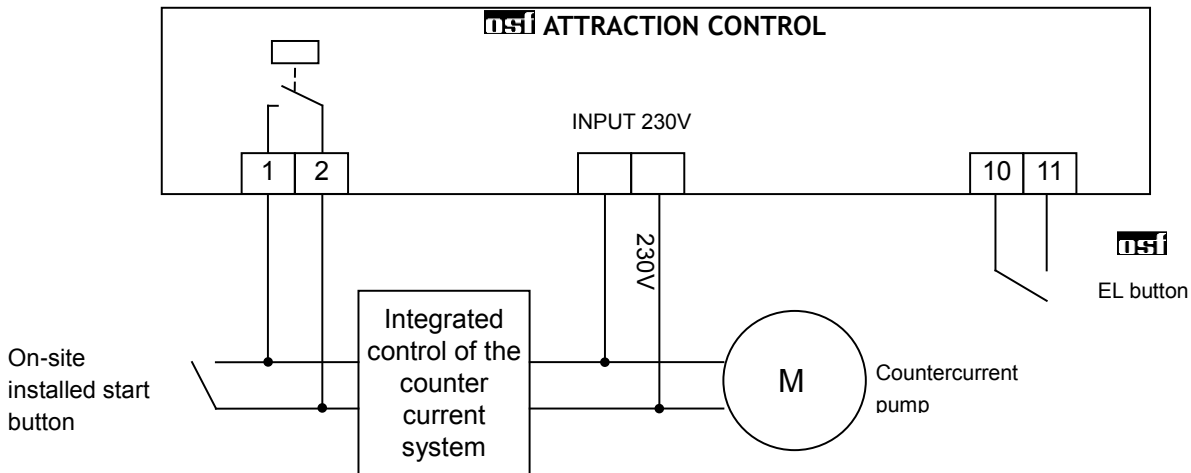
The switch housing is made of stainless steel AISI 316L (V4A, DIN 1.4404), the cable length is 1.5 meters. The delivery includes a seal and a fastening nut. Thread M22x1.

Countercurrent system with its own control

Input 230V

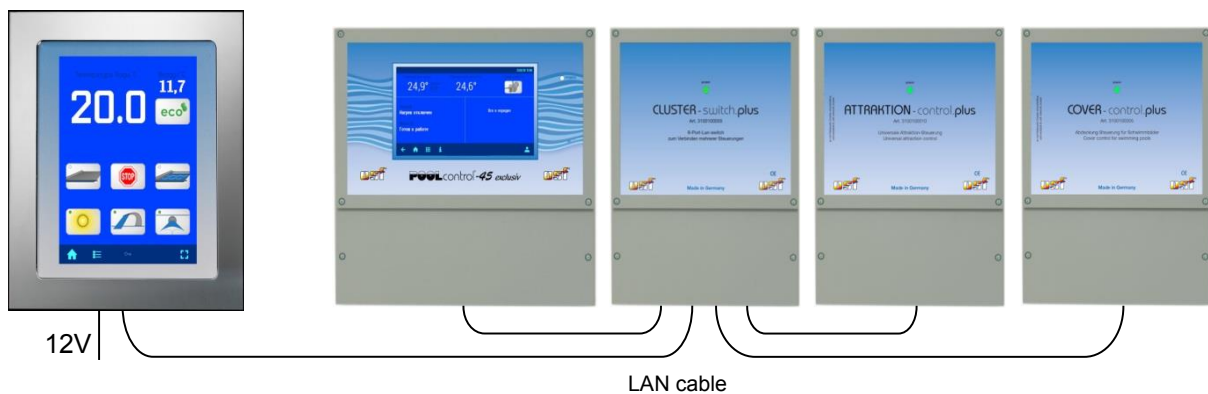
A counter-current system with integrated control can also be combined with the Attraktion-control.plus. With the help of the "Input 230V" input, the status of the countercurrent system is then determined. Terminals 1 and 2 (Attr.1) of the potential-free output are switched parallel to the control element (button) of the counter-current system.

The connection diagram below shows an example of the connection of a countercurrent system to the Attr. 1 output. In this case, the countercurrent system can be switched on via its own control system or via a button on terminals 10-11.

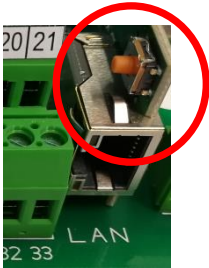


LAN connection

The attraction-control-plus has a LAN connection (Ethernet, RJ45). The attraction-control-plus is configured exclusively via the LAN network using the filter control PC-45-exclusive, an external touch control unit (Smart), or a computer or smartphone. Standard network cables (patch cables, CAT5) must be used for the connections. Each device in the network cluster (PC45-exclusive, Attraktion-Control.plus, etc.) must be in the same local network. The easiest way to create such a network is to use the osfi-cluster switch.plus.

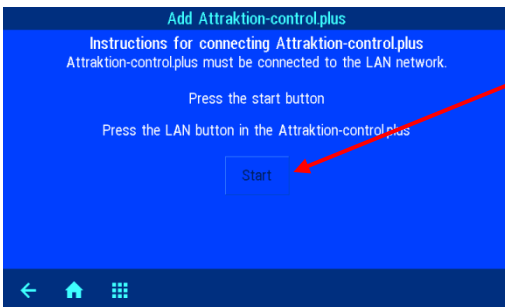


Connection of the Attraktion-control.plus to the PC-45 exclusiv



Communication between the two controllers takes place via a local Ethernet network using the UDP network protocol. For correct cooperation it is necessary that both controllers are connected to the same local network. Patch cables are used for the connection. One end of the patch cable is connected to the LAN connection of the controller and the other end to the network switch of the local network.

On the PC-45 exclusiv screen, open the menu for adding an osf device and select the "Attraktion-control.plus" control. Then follow the suggested instructions, click on the Start button and then on the LAN button of the Attraktion-control.plus controller. Further information can be found in the installation and operating instructions for the PC-45 exclusiv.



By pressing the start button, the PC-45 exclusiv searches for a few minutes in the local network for an Attraktion-control plus.



During this time you have to press the LAN button in the Attraktion-control plus to establish the connection between the two controls. It is located in the terminal box area on the circuit board, on the right of the module.

If you press the LAN button briefly, the control lamp on the front of the Attraktion-control plus starts to flash green, indicating that the "Establishing communication between two controllers" mode is activated. The green indicator flashes until the connection between the controllers is established, but for a maximum of 2 minutes. After the connection has been established, the green control lamp lights up statically.

After a successful connection, the PC-45 exclusiv shows the serial number of the Attraktion-control plus with which the connection was established. The connection between the two controls is now established.



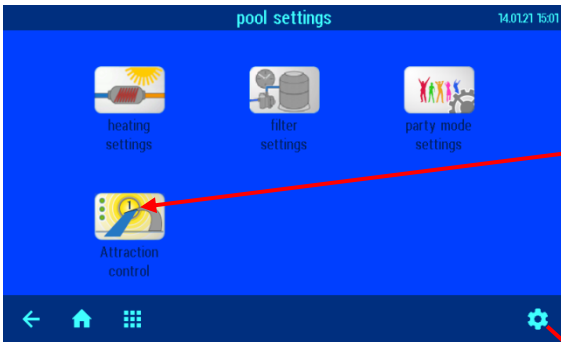
Connection to a "Smart-Touch" operating panel

To connect the devices with each other, both devices must be connected to the local network. On the screen of the external Smart-Touch control panel, go to the "Add OSF device" menu and select the "Attraktion-control.plus" block. Then press the start button and then the LAN button in the Attraktion-control.plus according to the instructions displayed. For more information, see the instructions for the external smart touch control panel.

Please also note the installation and operating instructions for the devices PC-45 exclusiv and external smart touch control panel.

Configuration

The Attraction-control plus is configured on the PC-45 exclusiv.



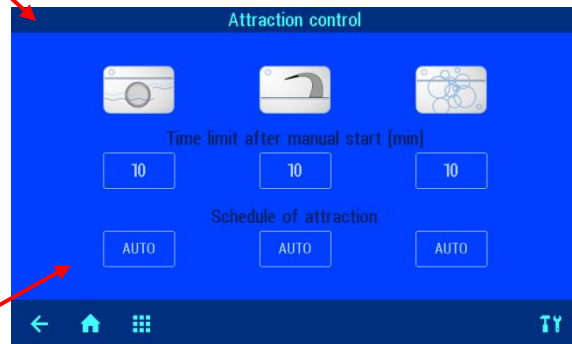
After the two controls have been connected, an additional symbol appears in the main menu of the PC-45 exclusiv.

Clicking this button takes you to the configuration menu.

Run-time limitation

The operating time of the respective attraction (after switching on by pressing a button) is set with the running time limitation. It is switched off automatically after the time has elapsed or by pressing the button again.

To switch off the run-time limit, a time of 0 minutes is entered.



Factory setting: 10 minutes

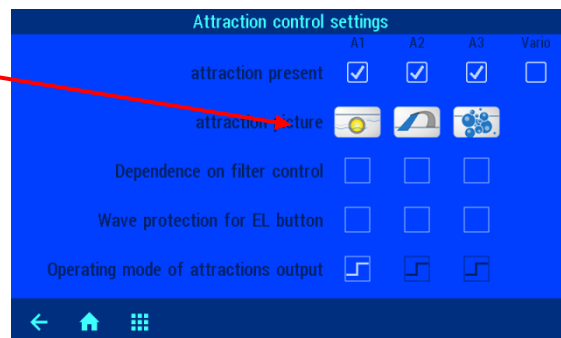
Schedule for the attractions

In this menu the schedule for the respective attractions is set. You can enter 15 independent switch-on and switch-off cycles. In each cycle, you need to specify a specific day of the week or a group of days. To set the maximum switch-on time, you must first select the attraction for which the value is to be changed, then the maximum duration of this attraction can be adjusted. The respective entry is deleted by pressing the "X" button.

Factory setting: No schedule programmed.

Symbols for the attractions

In this menu you can select the symbol for the respective button.



Dependency on the filter control (PC-45 exclusiv)

In this menu you can define the dependencies of the attraction. The following options are possible:

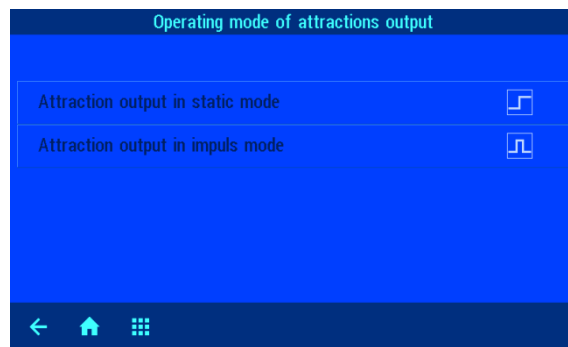
1. Deactivate attraction in eco mode. The attraction is switched off when the PC-45-exclusive switches to ECO mode.
2. The attraction is switched on in "Party" mode.
3. Attraction lock if the pool cover is not completely open. A Cover-Control-plus is required for this function.



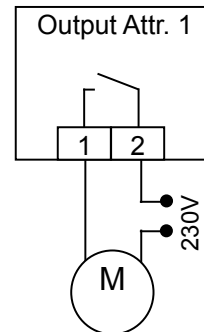
Output signal for the 1st attraction output

In this menu you can set the control mode of the first attraction (attr. 1, terminals 1 and 2). The other attraction outputs are not configurable.

The output signal can be selected between push-button operation and switch operation.



The diagram on the right shows an example of the connection of an attraction in switch operation.

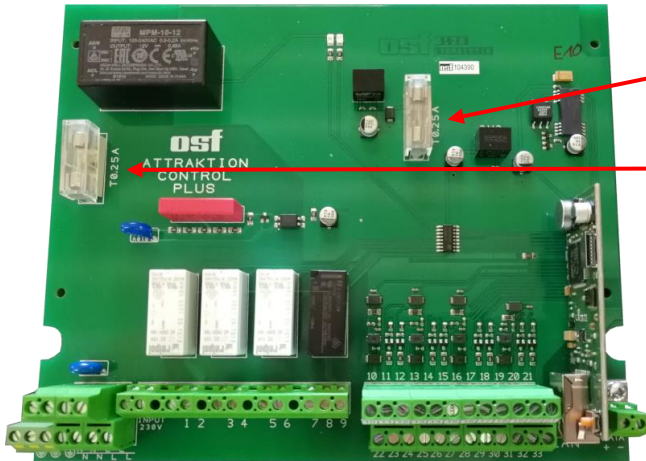


Reset to factory settings

All parameters are reset to the factory settings by pressing the button next to the LAN connection. The button must be pressed permanently for 10 seconds.



Fuses



0,25A Push button connections

0,25A Electronic control

The attractions have to be fused on site

Connection to the Internet

The instructions for connecting to the Internet can be downloaded from the Internet at the following address: osf.de/lan.pdf



We wish you a lot of fun and relaxation in your swimming pool

Further information can be found on the Internet at the following address:
<https://osf.de/download/documents/documents.php?device=Attraktion-Control-plus>



osf Hansjürgen Meier
Elektrotechnik und Elektronik GmbH & Co KG
Eichendorffstraße 6
D-32339 Espelkamp
E-Mail: info@osf.de
Internet: www.osf.de

Subject to changes **osf** Mai 2020